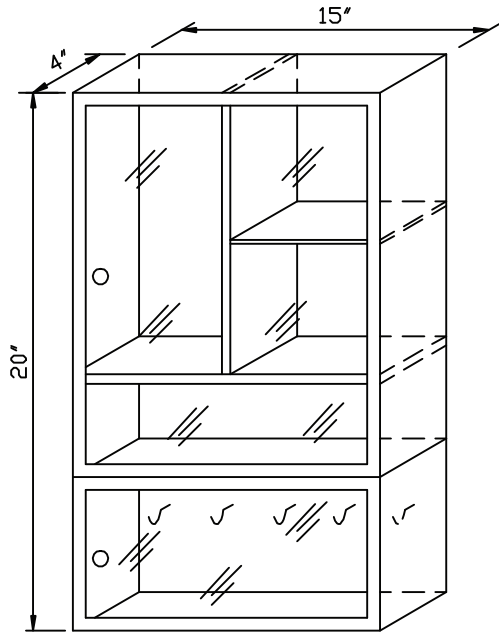


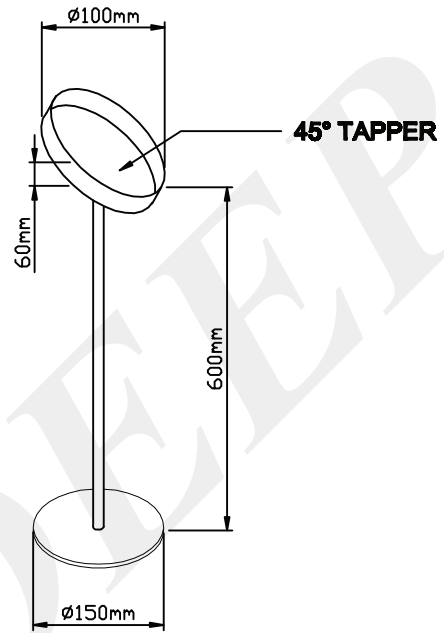


## FIRST AID BOX

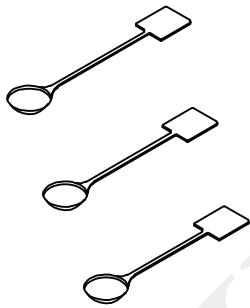


D) FIRST-AID BOX CUM KEY BOX

## PETRI DISH STAND

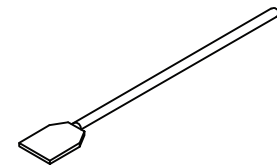
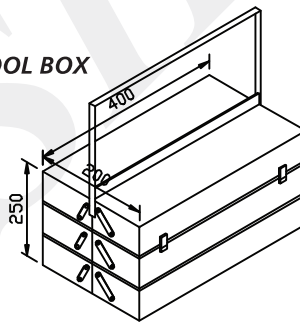


## SAMPLING EQUIPMENT / TOOL CASE



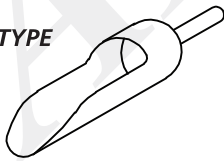
A) SPOON

B) TOOL BOX

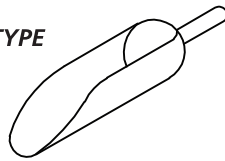


C) SCRAPER

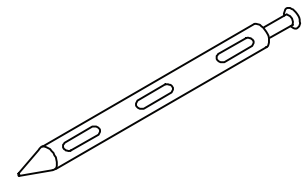
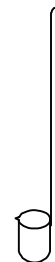
CLOSED TYPE



OPEN TYPE



D) SCOOP



E) LIQUID / POWDER SAMPLER