

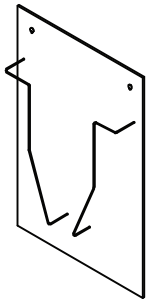
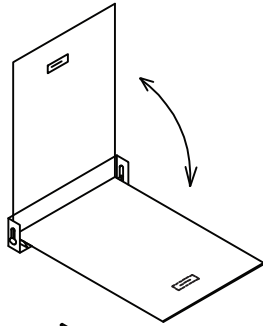
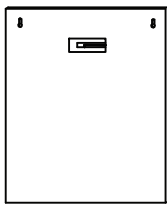


S.O.P. STANDS

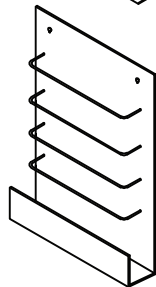
MIRROR FRAME

MODEL B.1 (S.O.P CUM WRITING PAD)

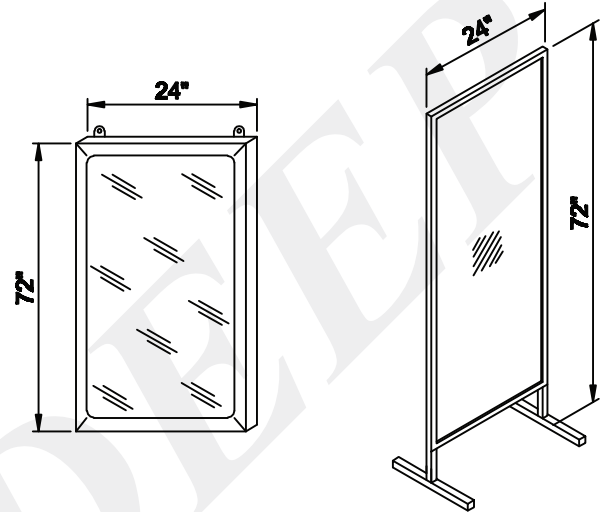
MODEL B



MODEL C



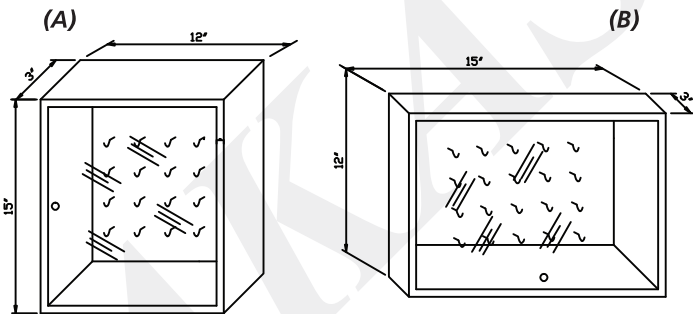
MODEL D



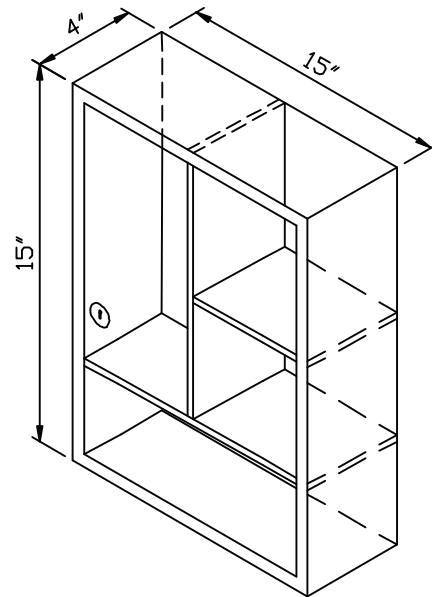
A) WALL MOUNTED

B) STAND TYPE

MIRROR FRAME



KEY BOX



C) FIRST-AID BOX