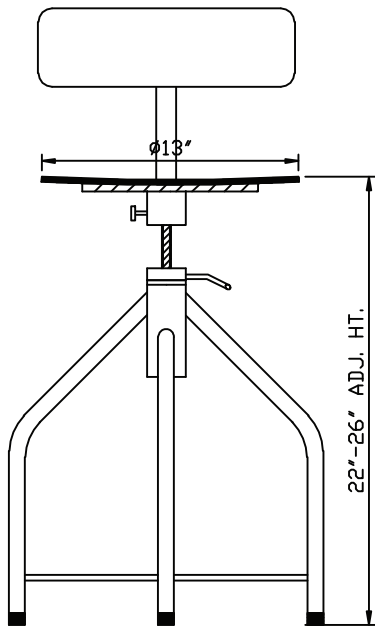




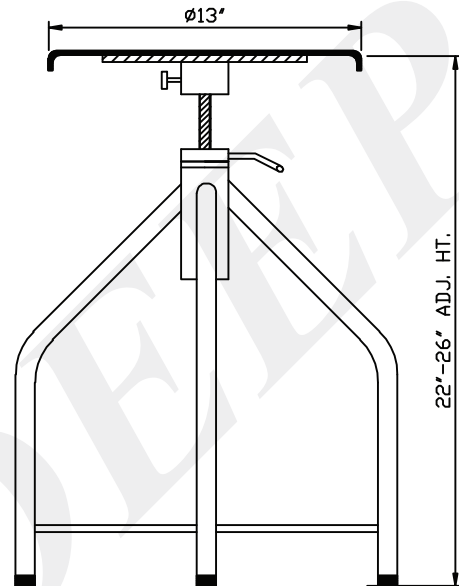
AKASHDEEP

PHARMA & CATERING EQUIPMENT

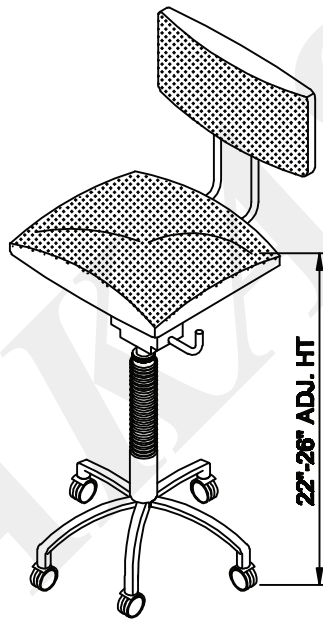
SITTING EQUIPMENT



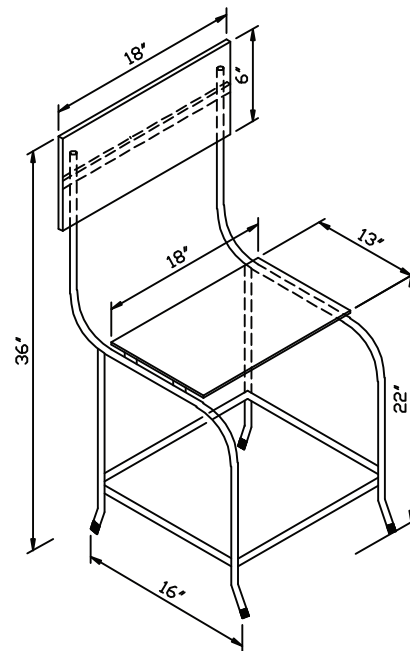
A) REVOLVING TYPE WITH ADJUSTABLE HEIGHT



B) REVOLVING TYPE WITH ADJUSTABLE HEIGHT



C) CUSHION CHAIR REVOLVING TYPE WITH WHEEL ADJ. HEIGHT



D) FIX TYPE

Add: A1/101, Virwani Indl. Estate, W.E. Highway, Goregoan (E), Mumbai-63.
Tel: 022-40436666, 28760936 Fax: 022-28748389, 28784421 mail: info@apclgroup.com,