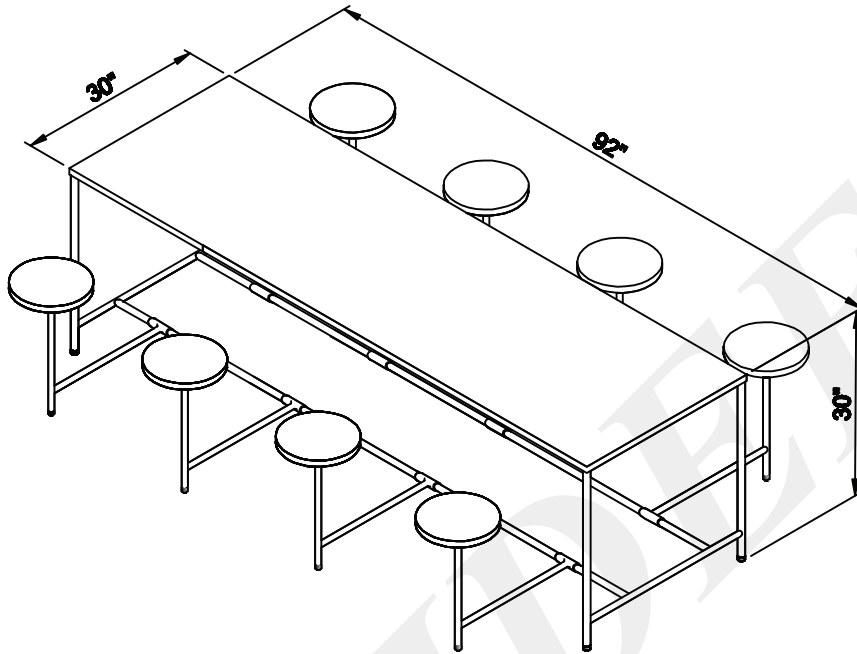




AKASHDEEP

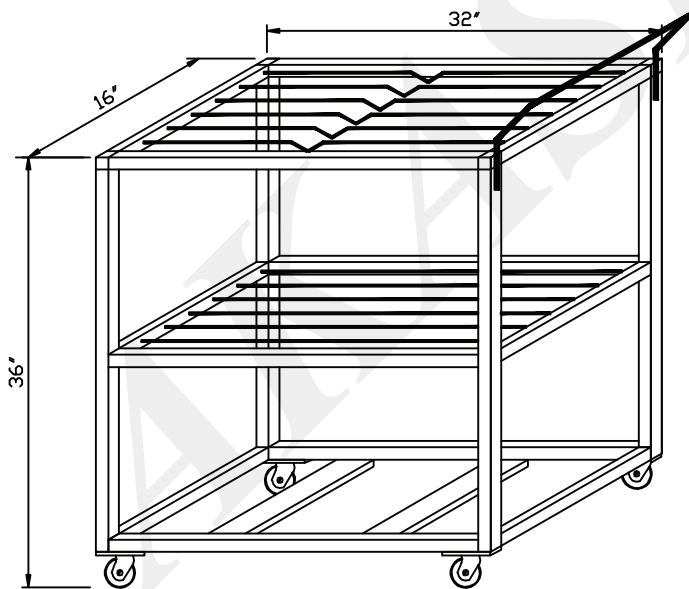
PHARMA & CATERING EQUIPMENT

CANTEEN TABLE

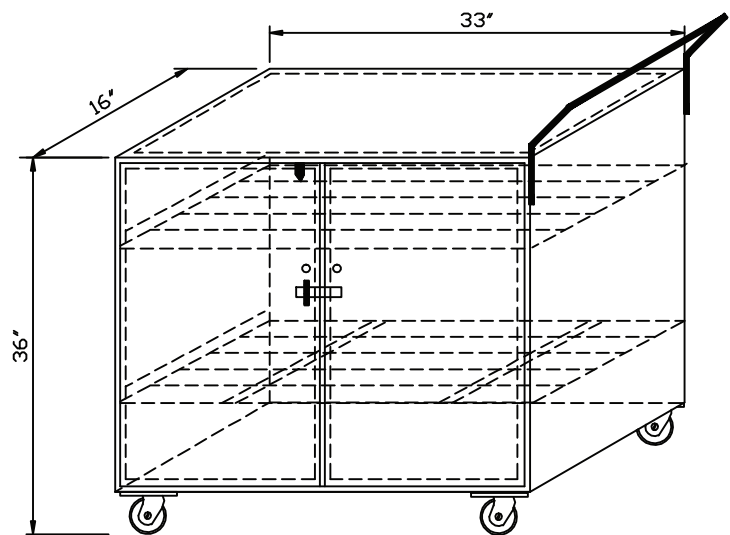


B) 8 SEATER

SIEVES TROLLEY



(A)



(B)

Add: A1/101, Virwani Indl. Estate, W.E. Highway, Goregoan (E), Mumbai-63.
Tel: 022-40436666, 28760936 Fax: 022-28748389, 28784421 mail: info@apclgroup.com,