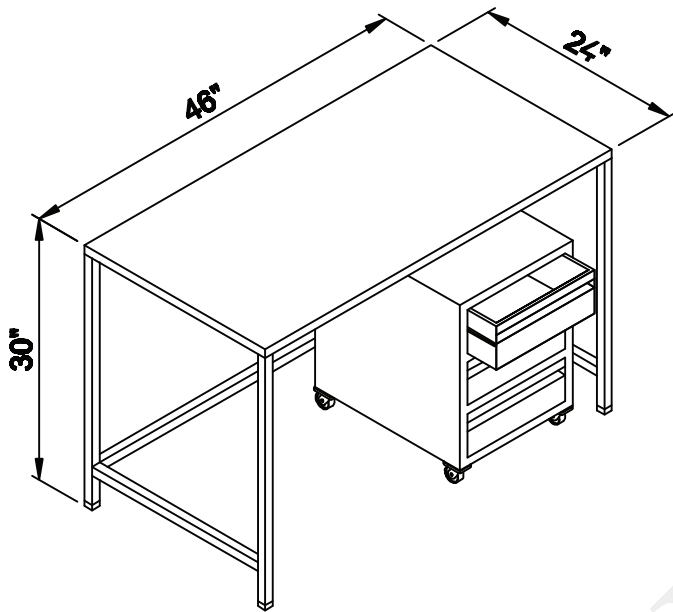




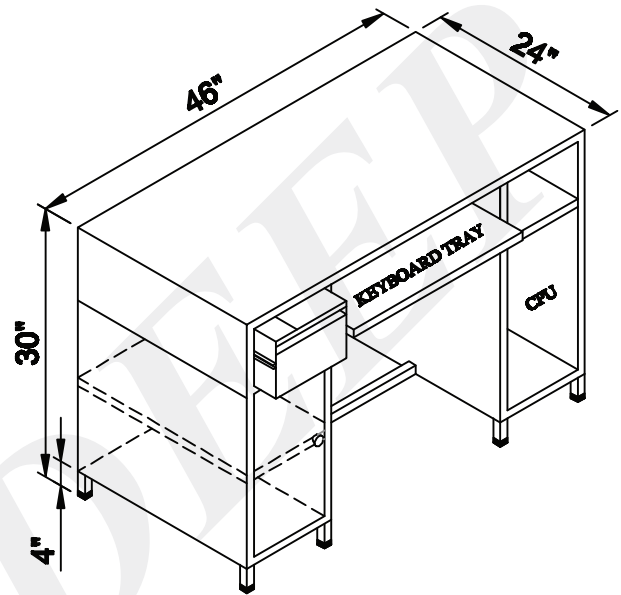
AKASHDEEP

PHARMA & CATERING EQUIPMENT

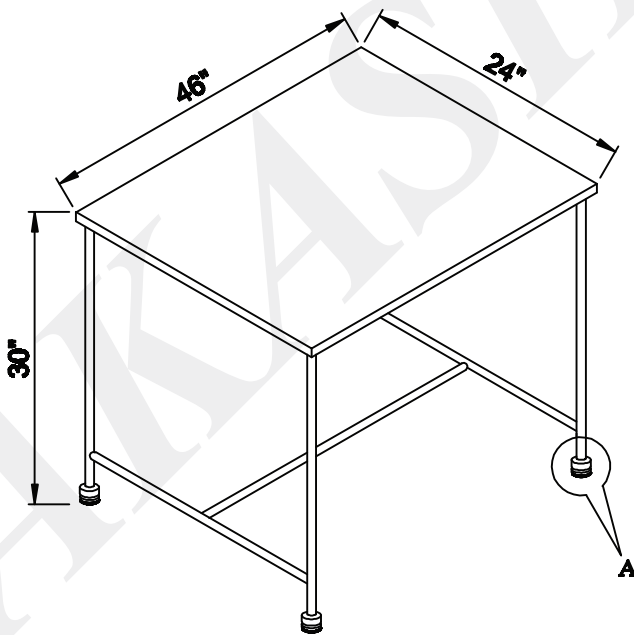
WORKING TABLES



E) TABLE WITH MODULE



F) COMPUTER TABLE



ANTIVIBRATION PAD

G) ANTIVIBRATION TABLES

Add: A1/101, Virwani Indl. Estate, W.E. Highway, Goregoan (E), Mumbai-63.
Tel: 022-40436666, 28760936 Fax: 022-28748389, 28784421 mail: info@apclgroup.com,