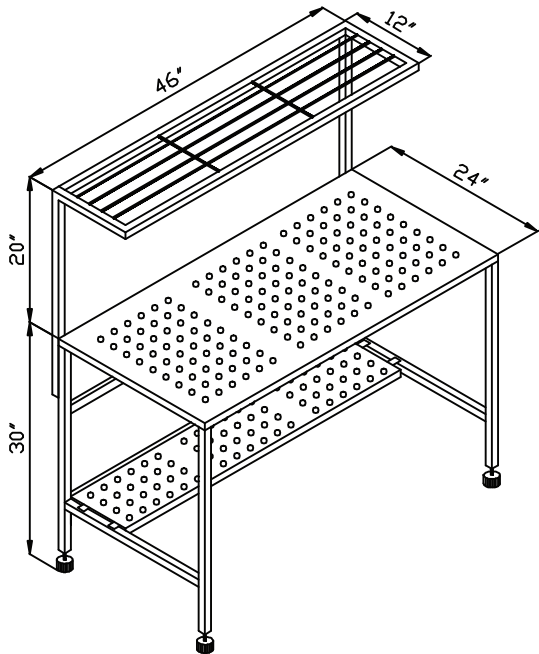




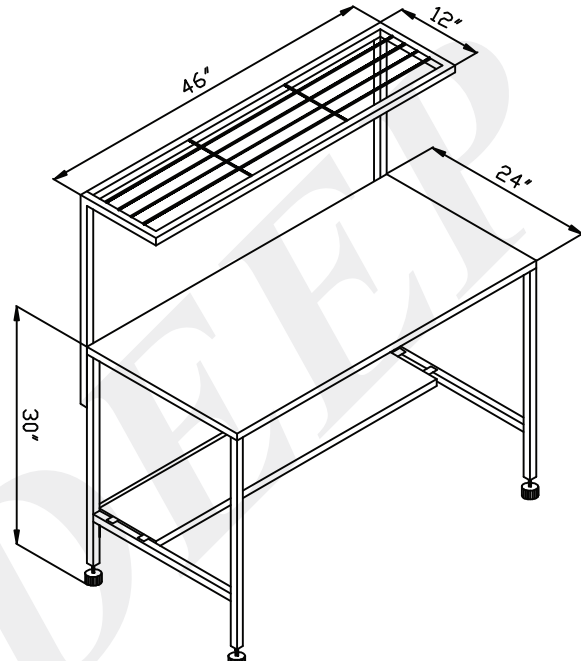
# AKASHDEEP

PHARMA & CATERING EQUIPMENT

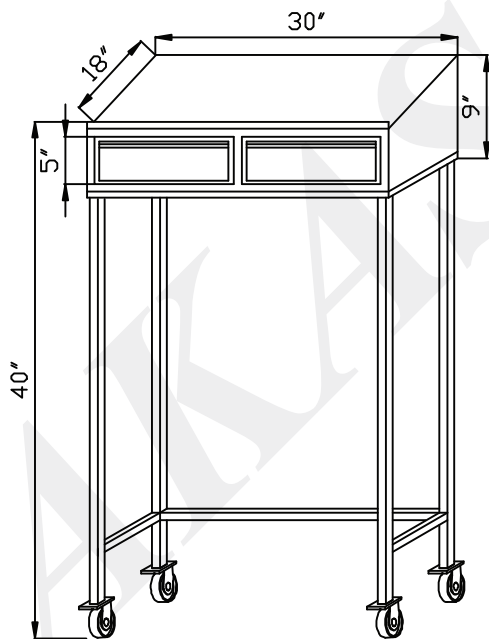
## WORKING TABLES



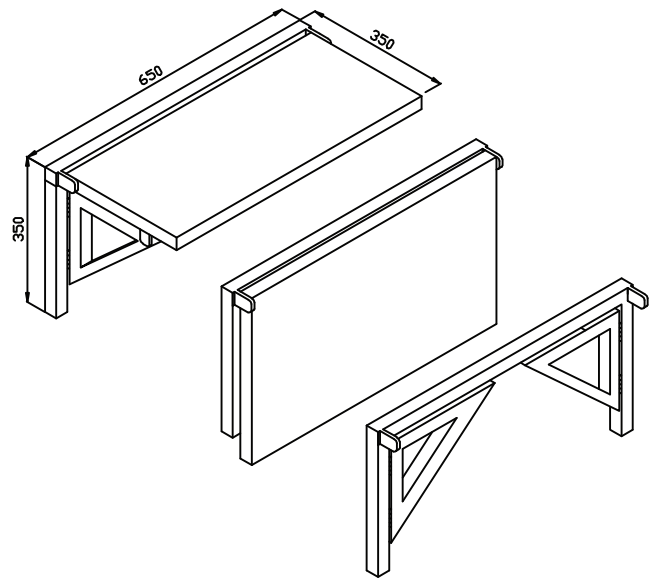
(A)



(B)



(C) WRITING STAND WITH DRAWERS



(D) FOLDING STAND (WRITING STAND)

Add: A1/101, Virwani Indl. Estate, W.E. Highway, Goregoan (E), Mumbai-63.  
Tel: 022-40436666, 28760936 Fax: 022-28748389, 28784421 mail: info@apclgroup.com,