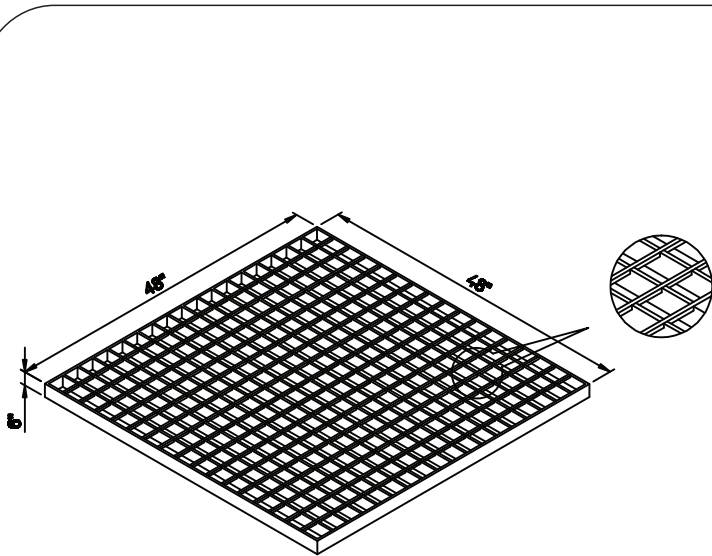


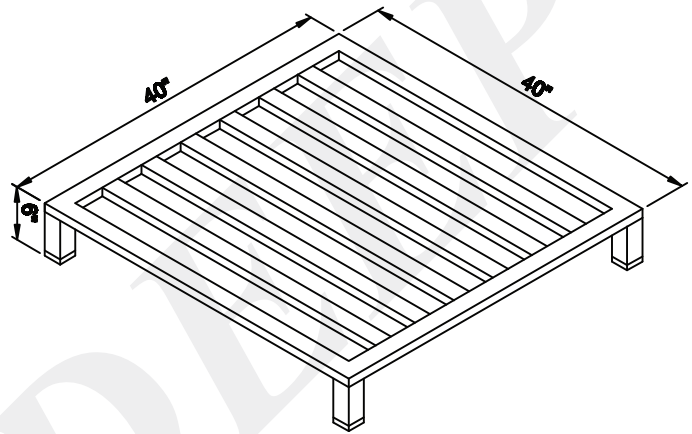


**AKASHDEEP**  
PHARMA & CATERING EQUIPMENT

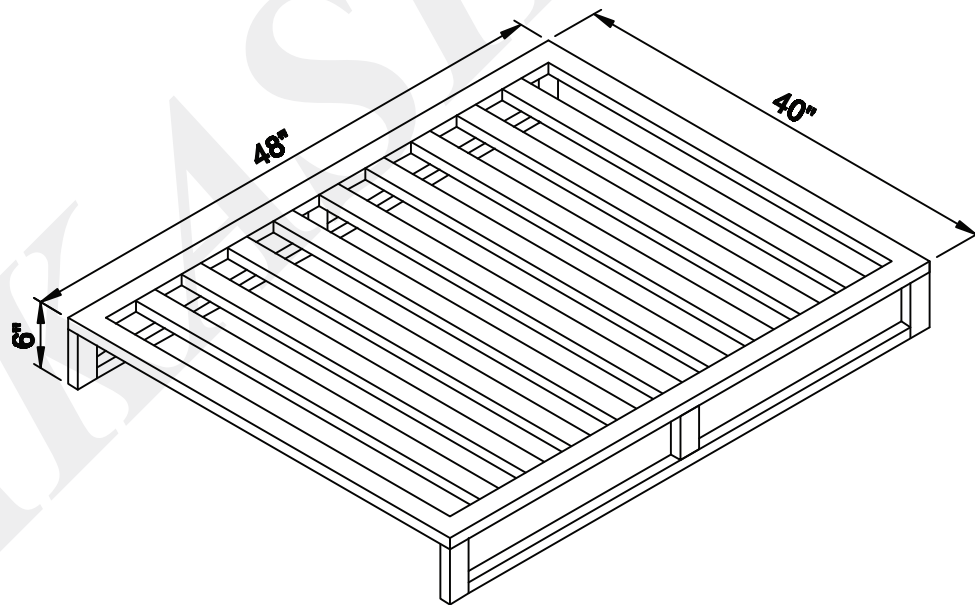
**PALLETS / PLATFORMS**



(A)



(B)



(C)

Add: A1/101, Virwani Indl. Estate, W.E. Highway, Goregoan (E), Mumbai-63.  
Tel: 022-40436666, 28760936 Fax: 022-28748389, 28784421 mail: [info@apclgroup.com](mailto:info@apclgroup.com),