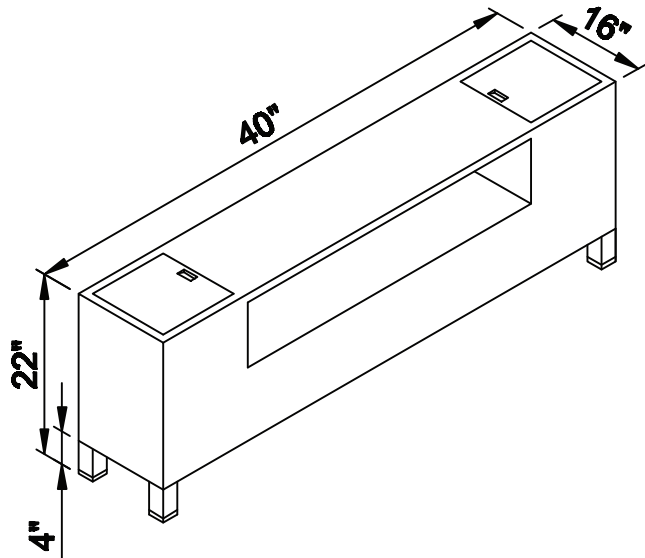
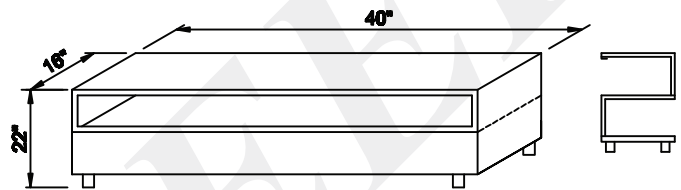




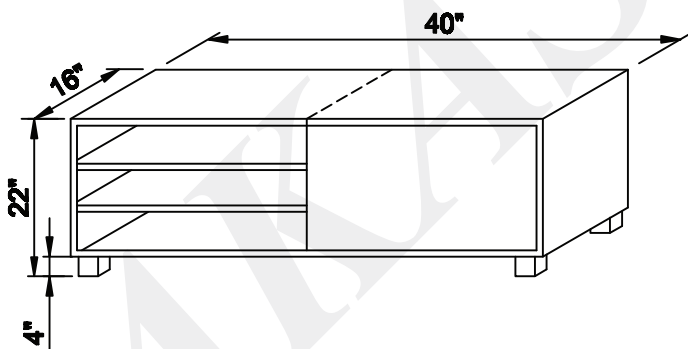
CROSS-OVER BENCHES WITH SHOE RACK



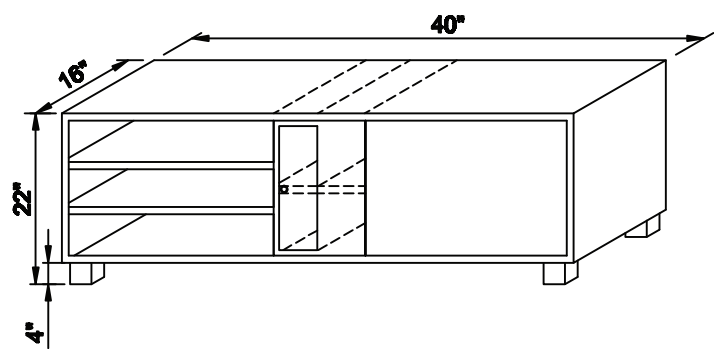
F) 2 WAY ENTRY WITH SIDE CABIN



G) 2 WAY ENTRY



H) 2 WAY ENTRY



I) 2 WAY ENTRY WITH CABIN