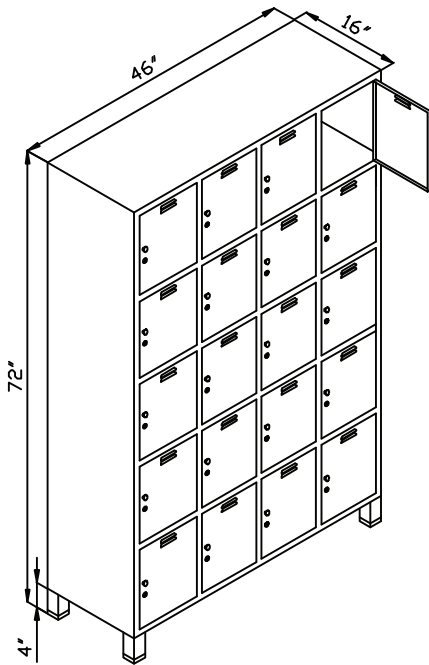




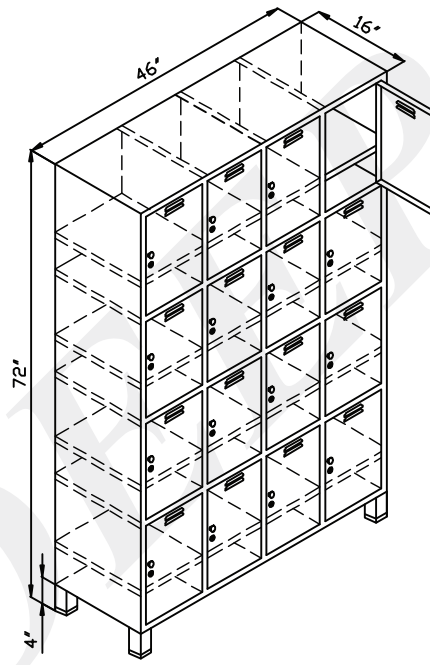
AKASHDEEP

PHARMA & CATERING EQUIPMENT

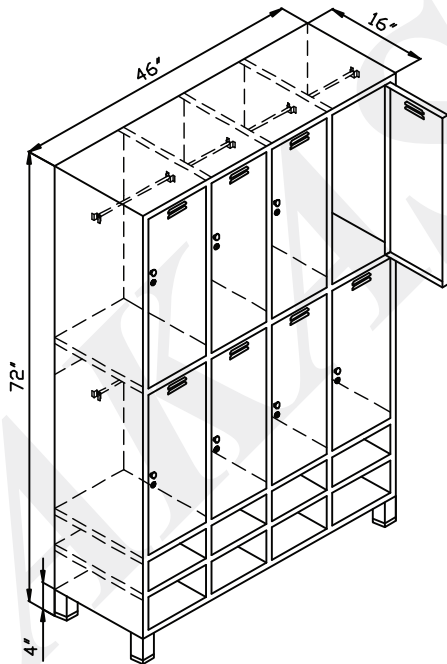
LOCKERS



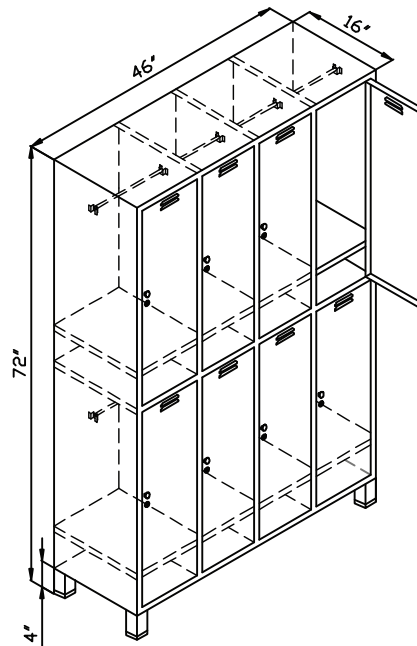
A) LOCKERS (20 COMP.)



B) LOCKERS (20 COMP.) WITH SHELVE



C) LOCKERS (8 COMP.) WITH SHELVES



D) LOCKERS (8 COMP.) WITH SHOE RACK

Add: A1/101, Virwani Indl. Estate, W.E. Highway, Goregoan (E), Mumbai-63.

Tel: 022-40436666, 28760936 Fax: 022-28748389, 28784421 mail: info@apclgroup.com,