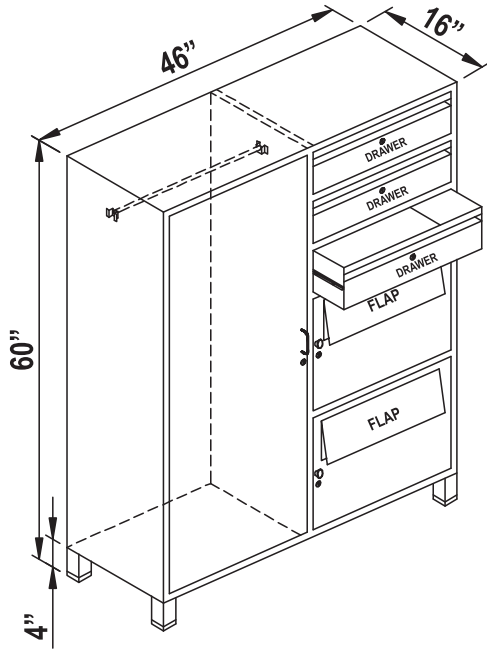
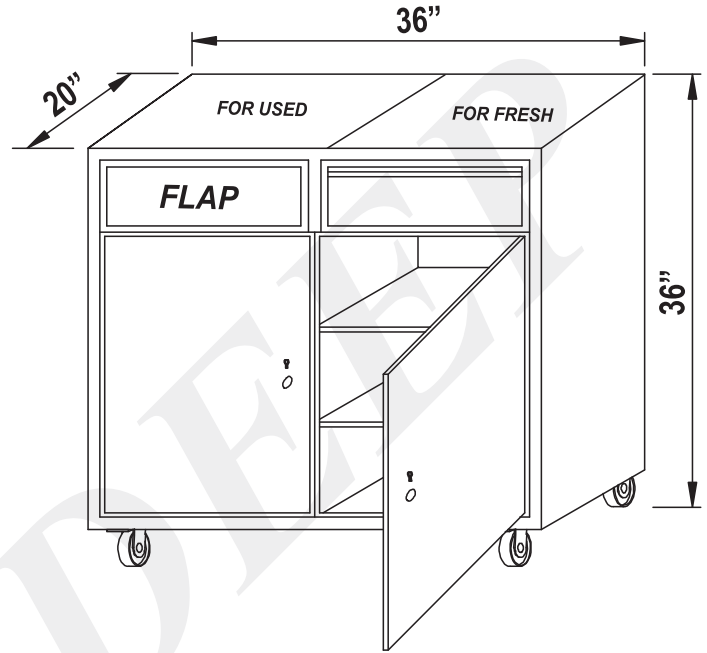




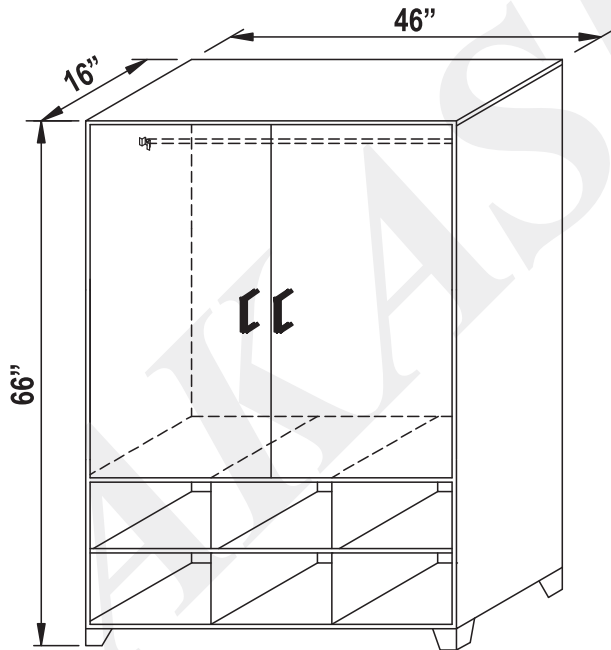
GARMENT CABINET



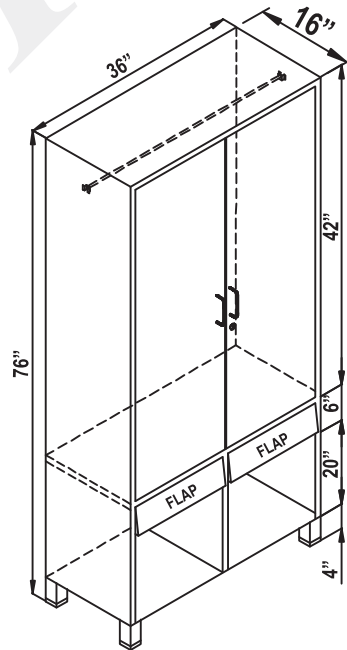
A) GARMENT CABINET



B) MOVABLE GARMENT CABINET



C) GARMENT CABINET WITH CABINE FOR MASK, GLOVES



D) GARMENT CABINET WITH WASTE BIN

